

**ABSOLUTE MAXIMUM RATINGS**

Item	Symbol	Min.	Max.	Unit
Supply Voltage(Logic)	V <sub>DD</sub> - V <sub>SS</sub>	-0.3	7.0	V
Supply Voltage(LCD)	V <sub>O</sub> - V <sub>SS</sub>	-0.3	7.0	V
Input Voltage	V <sub>I</sub>	-0.3	V <sub>DD</sub> + 0.3	V
Operating Temp.	T <sub>opr</sub>	-20	70	°C
Storage Temp.	T <sub>stg</sub>	-30	80	°C

**MECHANICAL DATA**

Item	Nominal Dimensions	Unit
Module Size ( W x H x T )	74.0 x 35.0 x 13.5	mm
Viewing Area ( W x H )	60.5 x 18.5	mm
Dot Pitch ( W x H )	0.44 x 0.49	mm
Dot Size ( W x H )	0.40 x 0.45	mm
Weight	Approx. 38	g

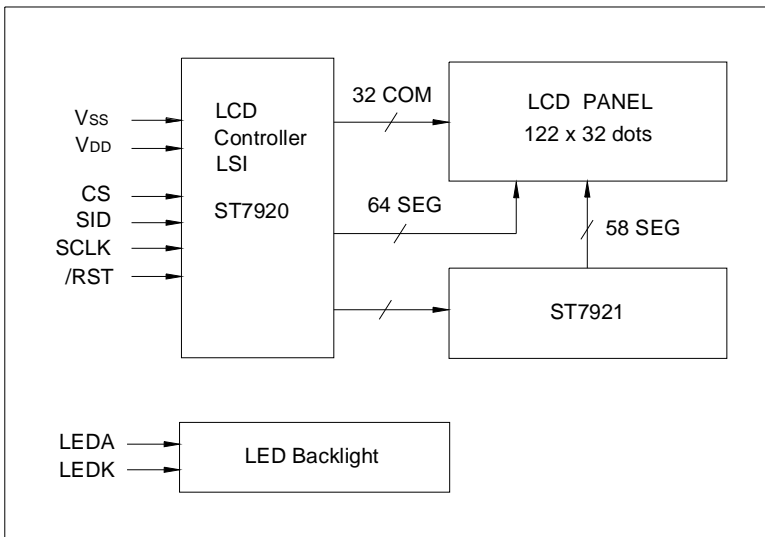
**ELECTRICAL CHARACTERISTICS ( V<sub>DD</sub>=5V±0.25V )**

Item	Symbol	Test Condition	Min.	Typ.	Max.	Unit
Input High Voltage	V <sub>IH</sub>	--	0.7V <sub>DD</sub>	--	V <sub>DD</sub>	V
Input Low Voltage	V <sub>IL</sub>	--	- 0.3	--	0.6	V
Output High Voltage	V <sub>OH</sub>	I <sub>OH</sub> = - 0.1mA	0.8V <sub>DD</sub>	--	V <sub>DD</sub>	V
Output Low Voltage	V <sub>OL</sub>	I <sub>OL</sub> = 0.1mA	--	--	0.1V <sub>DD</sub>	V
Supply Current	I <sub>DD</sub>	V <sub>DD</sub> = 5.0V	--	3.0	5.0	mA
LCD Driving Voltage	V <sub>O</sub> - V <sub>SS</sub>	T <sub>a</sub> =25°C	--	6.5	--	V

**PIN CONNECTIONS (CN1/CN2)**

Pin	Symbol	Level	Function
1	V <sub>SS</sub>	0V	GND
2	V <sub>DD</sub>	+5V	Power supply for logic
3	CS	H/L	Chip enable signal, active "H"
4	SID	H/L	Serial data input
5	SCLK	H/L	Serial clock input
6	/RST	L	Reset signal, active "L"
7	LEDA	+5V	Power supply for LED backlight
8	LEDK	0V	

**BLOCK DIAGRAM**



**LED BACKLIGHT SPECIFICATIONS (T<sub>a</sub>=25°C)**

Item	Symbol	Typ.	Max.	Unit
Forward Voltage	V <sub>f</sub>	3.1	3.3	V
Forward Current	I <sub>f</sub>	30	--	mA
LED Color		White		