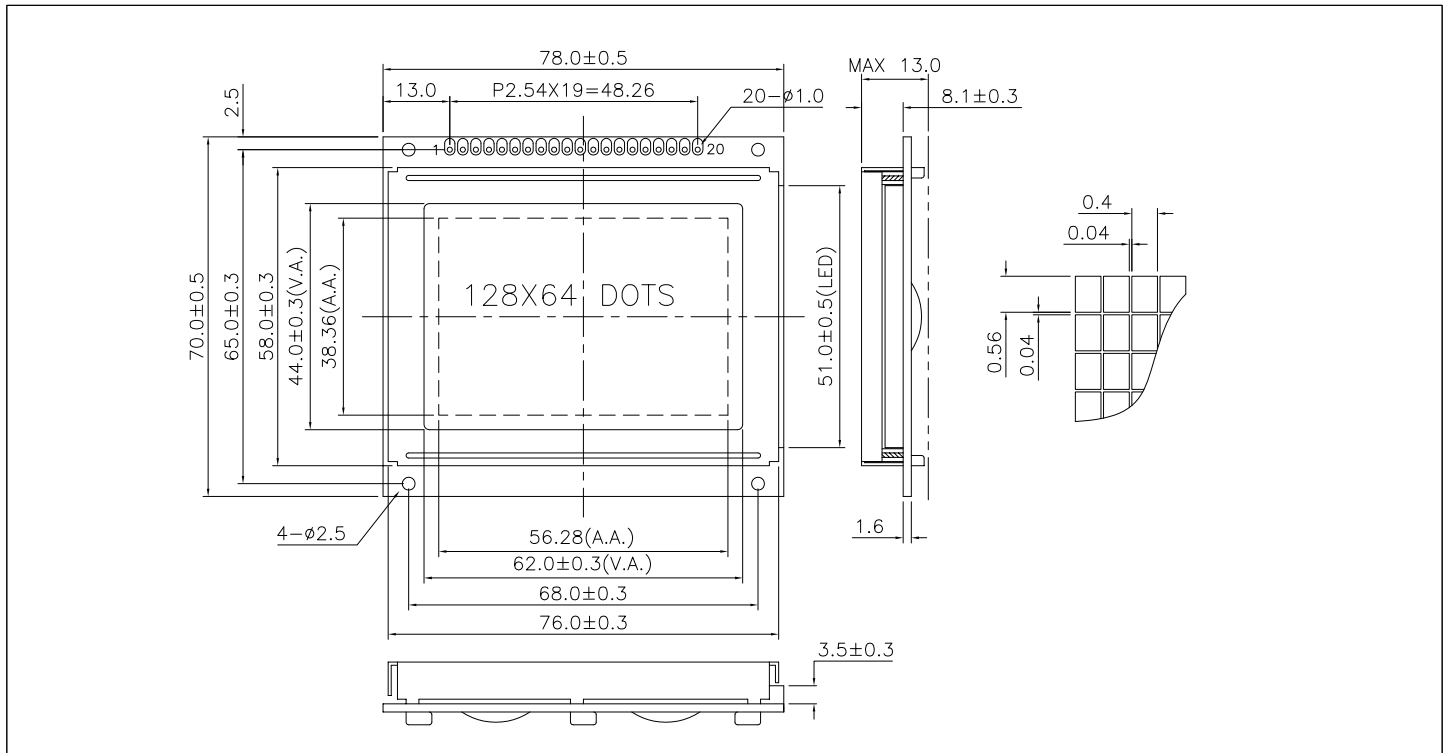


# LG128641-DW

128 x 64 dots + white led backlight



## ABSOLUTE MAXIMUM RATINGS

Item	Symbol	Min.	Max.	Unit
Supply Voltage(Logic)	$V_{DD} - V_{SS}$	-0.3	7.0	V
Supply Voltage(LCD)	$V_{DD} - V_O$	-0.3	19.0	V
Input Voltage	$V_I$	-0.3	$V_{DD} + 0.3$	V
Operating Temp.	$T_{opr}$	-20	70	°C
Storage Temp.	$T_{stg}$	-30	80	°C

## MECHANICAL DATA

Item	Nominal Dimensions	Unit
Module Size ( W x H x T )	78.0 x 70.0 x 13.0	mm
Viewing Area ( W x H )	62.0 x 44.0	mm
Dot Pitch ( W x H )	0.44 x 0.60	mm
Dot Size ( W x H )	0.40 x 0.56	mm
Weight	Approx. 75	g

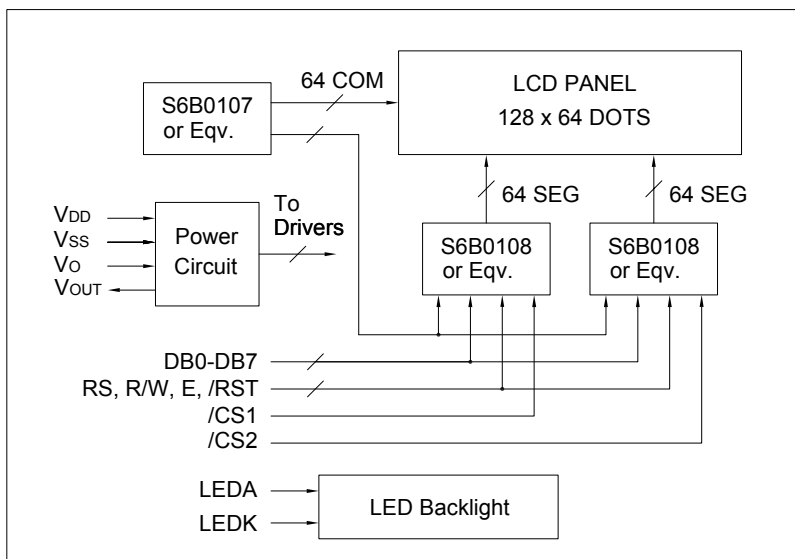
## ELECTRICAL CHARACTERISTICS ( $V_{DD}=5V \pm 0.25V$ )

Item	Symbol	Test Condition	Min.	Typ.	Max.	Unit
Input High Voltage	$V_{IH}$	--	2.0	--	$V_{DD}$	V
Input Low Voltage	$V_{IL}$	--	-0.3	--	0.8	V
Output High Voltage	$V_{OH}$	$I_{OH} = -0.2mA$	2.4	--	$V_{DD}$	V
Output Low Voltage	$V_{OL}$	$I_{OL} = 1.6mA$	0	--	0.4	V
Supply Current	$I_{DD}$	$V_{DD} = 5.0V$	--	6.0	8.0	mA
LCD Driving Voltage	$V_{DD} - V_O$	$T_a = 25^\circ C$	--	11.2	--	V

## PIN CONNECTIONS

Pin	Symbol	Level	Function
1	/CS1	H	Chip selection for IC1. Active "L".
2	/CS2	H	Chip selection for IC2. Active "L".
3	$V_{SS}$	0V	GND
4	$V_{DD}$	+5V	Power supply for logic
5	$V_O$	--	Operating voltage for LCD
6	RS	H/L	H : Data L : Instruction code
7	R/W	H/L	H : Read L : Write
8	E	H, H>L	Enable signal
9	DB0	H/L	Data bus line
10	DB1	H/L	
11	DB2	H/L	
12	DB3	H/L	
13	DB4	H/L	
14	DB5	H/L	
15	DB6	H/L	
16	DB7	H/L	
17	/RST	L	Reset signal. Active "L".
18	$V_{OUT}$	-10V	Output voltage for LCD driving
19	LEDA	+5V	Power supply for LED backlight
20	LEDK	0V	

## BLOCK DIAGRAM



## LED BACKLIGHT SPECIFICATIONS ( $T_a=25^\circ C$ )

Item	Symbol	Typ.	Max.	Unit
Forward Voltage	$V_f$	3.1	3.3	V
Forward Current	$I_f$	40	--	mA
LED Color		White		