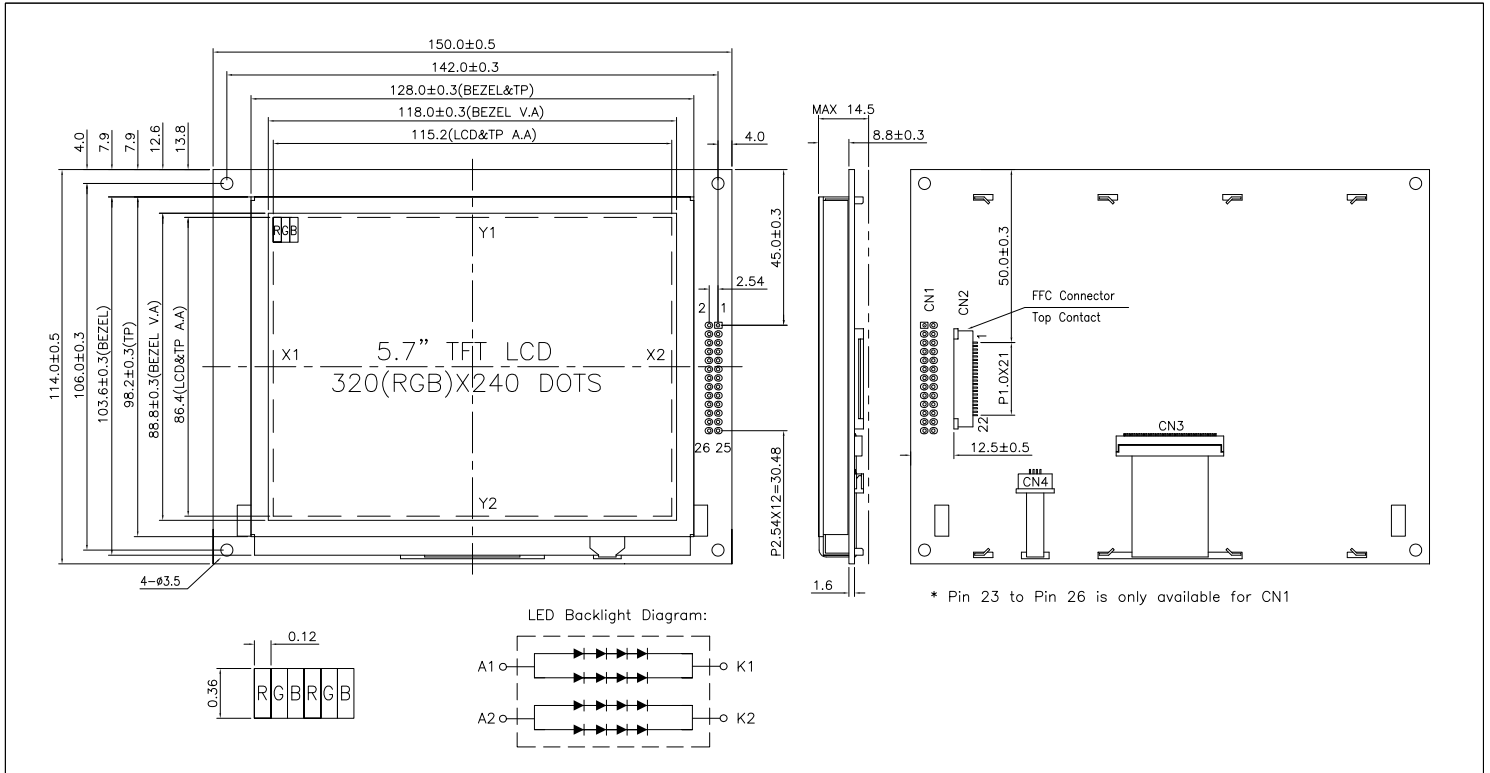


# LT057B-33BT 5.7" 320(RGB) x 240 TFT with MCU interface & touch panel, VDD=3.3V



## ABSOLUTE MAXIMUM RATINGS

Item	Symbol	Min.	Max.	Unit
Supply Voltage (Logic)	V <sub>DD</sub> - V <sub>SS</sub>	-0.3	4.0	V
Input Voltage	V <sub>I</sub>	-0.3	V <sub>DD</sub> + 0.3	V
Operating Temp.	T <sub>opr</sub>	-20	70	°C
Storage Temp.	T <sub>stg</sub>	-30	80	°C

## MECHANICAL DATA

Item	Nominal Dimensions	Unit
Module Size (W x H x T)	150.0 x 114.0 x 14.5	mm
Viewing Area (W x H)	118.0 x 88.0	mm
Active Area (W x H)	115.2 x 86.4	mm
Dot Pitch (W x H)	0.12 x 0.36	mm
Weight	Approx. 250	g

## ELECTRICAL CHARACTERISTICS (V<sub>DD</sub>=3.3V ± 0.3V)

Item	Symbol	Test Condition	Min.	Typ.	Max.	Unit
Input High Voltage	V <sub>IH</sub>	--	0.9V <sub>DD</sub>	--	V <sub>DD</sub>	V
Input Low Voltage	V <sub>IL</sub>	--	0	--	0.1V <sub>DD</sub>	V
Supply Current (LED is turned on)	I <sub>DD</sub>	V <sub>DD</sub> = 3.3V	--	450	550	mA
Supply Current (LED is turned off)	I <sub>DD</sub>	V <sub>DD</sub> = 3.3V	--	170	200	mA

## PIN CONNECTIONS (CN1/CN2)

Pin	Symbol	Level	Function
1	V <sub>SS</sub>	0V	GND
2	V <sub>DD</sub>	+3.3V	Power supply
3	BL	H/L	LED backlight control signal H: LED on L: LED off
4	D/C	H/L	Data or command selection H: Display data L: Command
5	/WR	L	Write signal. Active "L".
6	/RD	L	Read signal. Active "L".
7	DB0	H/L	Data bus
8	DB1	H/L	
9	DB2	H/L	
10	DB3	H/L	
11	DB4	H/L	
12	DB5	H/L	
13	DB6	H/L	
14	DB7	H/L	
15	/CS	H → L	Chip enable signal. Active at falling edge.
16	/RST	L	Reset signal. Active "L".
17	X1	--	Touch panel left side terminal
18	Y2	--	Touch panel bottom side terminal
19	X2	--	Touch panel right side terminal
20	Y1	--	Touch panel top side terminal
21-22	NC	--	No connection
23-26	NC	--	No connection

## BLOCK DIAGRAM

