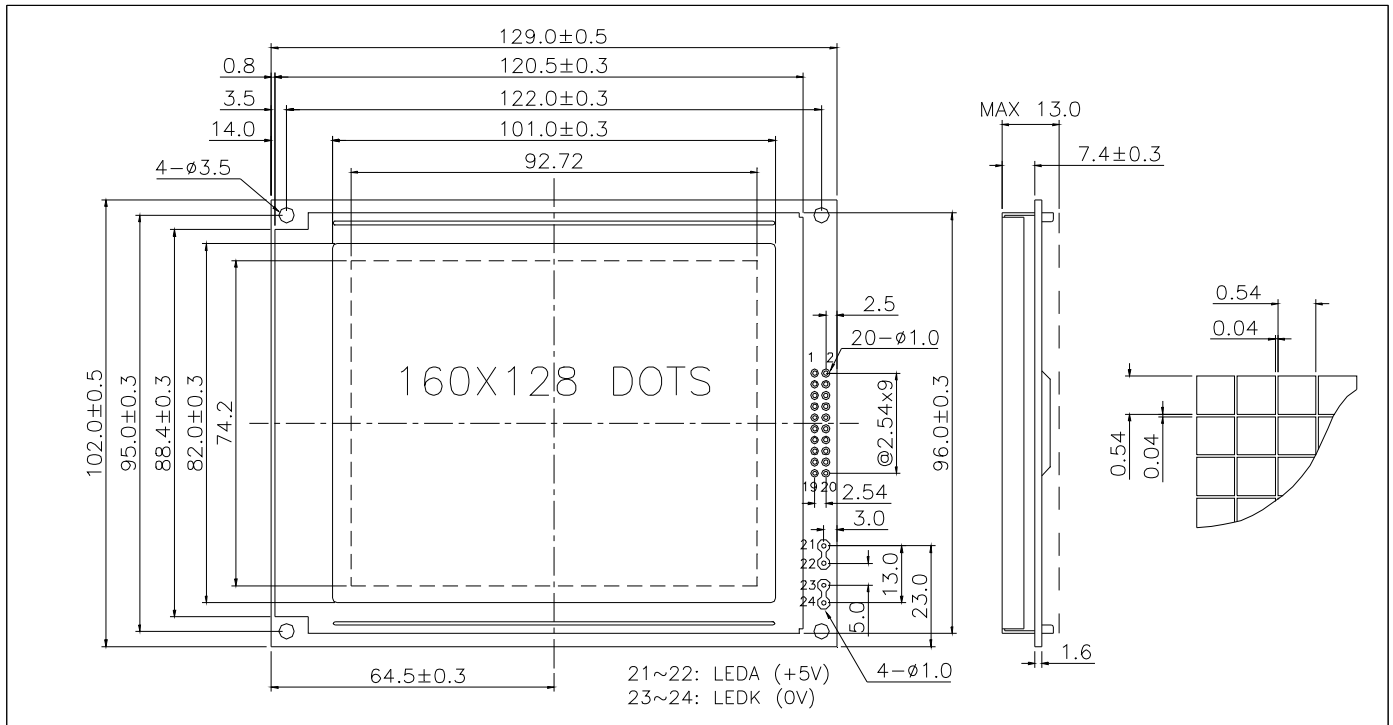


LG1601281-DW 160 x128 dots + white led backlight



ABSOLUTE MAXIMUM RATINGS

Item	Symbol	Min.	Max.	Unit
Supply Voltage(Logic)	V _{DD} - V _{SS}	-0.3	7.0	V
Supply Voltage(LCD)	V _{DD} - V _{EE}	-0.3	28.0	V
Input Voltage	V _I	-0.3	V _{DD} + 0.3	V
Operating Temp.	T _{opr}	-20	70	°C
Storage Temp.	T _{stg}	-30	80	°C

MECHANICAL DATA

Item	Nominal Dimensions	Unit
Module Size (W x H x T)	129.0 x102.0 x13.0	mm
Viewing Area (W x H)	101.0 x82.0	mm
Dot Pitch (W x H)	0.58 x 0.58	mm
Dot Size(W x H)	0.54 x 0.54	mm
Weight	Approx. 190	g

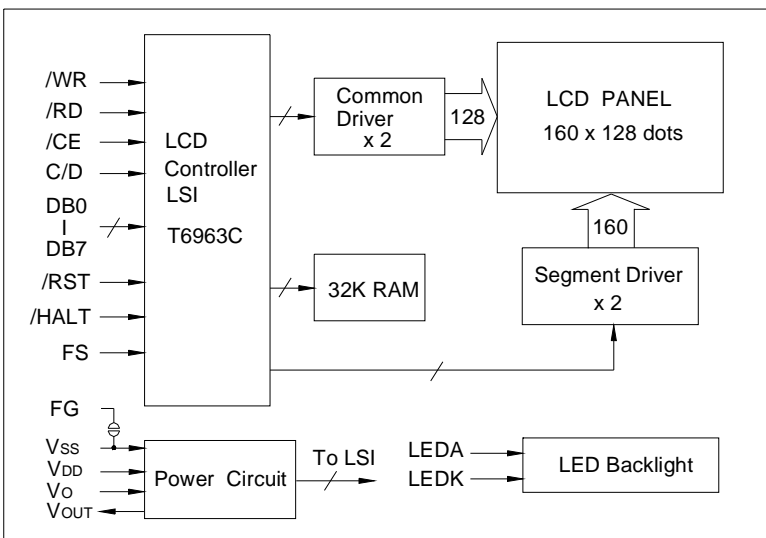
ELECTRICAL CHARACTERISTICS (V_{DD}=5V±0.25V)

Item	Symbol	Test Condition	Min.	Typ.	Max.	Unit
Input High Voltage	V _{IH}	--	V _{DD} -2.2	--	V _{DD}	V
Input Low Voltage	V _{IL}	--	-0.3	--	0.8	V
Output High Voltage	V _{OH}	--	V _{DD} -0.3	--	V _{DD}	V
Output Low Voltage	V _{OL}	--	0	--	0.3	V
Supply Current	I _{DD}	V _{DD} = 5.0V	--	16.0	22.0	mA
LCD Driving Voltage	V _{DD} - V _o	T _a =25°C	--	18.2	--	V

PIN CONNECTIONS

Pin	Symbol	Level	Function
1	FG	--	Frame ground
2	V _{SS}	0V	GND
3	V _{DD}	+5V	Power supply for logic
4	V _o	--	Operating Voltage for LCD
5	V _{OUT}	-15V	Output voltage for LCD driving
6	/M/R	L	Write signal, active "L"
7	/R/D	L	Read signal, active "L"
8	/C/E	L	Chip enable signal, active "L"
9	C/D	H/L	L : Data H : Instruction Code
10	/HALT	H/L	H : Normal L : Stops osc. clock
11	/RST	L	Reset signal, active "L"
12	DB0	H/L	Data bus line
13	DB1	H/L	
14	DB2	H/L	
15	DB3	H/L	
16	DB4	H/L	
17	DB5	H/L	
18	DB6	H/L	
19	DB7	H/L	
20	FS	H/L	Font selection L: 8x8, H: 6x8

BLOCK DIAGRAM



LED BACKLIGHT SPECIFICATIONS (T_a=25°C)

Item	Symbol	Typ.	Max.	Unit
Forward Voltage	V _f	3.1	3.3	V
Forward Current	I _f	120	--	mA
LED Color		White		